



Gelato PUSH CART

Endless Custom Design Options



*Sell your Gelato, Ice Cream, Sorbet
and Italian Ices anywhere!*

Features

The Gelato Push Cart is the most versatile selling unit available allowing you to bring your store to the public and reach your customers anywhere, from the outdoors in the big cities to stores, malls, catering halls, homes and events. GTI Designs is offering our Gelato Push Cart in two versions: Pozzetti style or with 5 Liter Stainless Steel Pans and Glass Sliding Top. We offer custom design options for your push cart to suit your needs including custom color scheme, logo, and fabric. Reminiscent of a Bygone era, yet with a sleek modern design, the Push Cart is an elegant presentation for your Gelato, Ice Cream, Sorbet and Italian Ices.

It is available in 4, 6 or 8 flavor variety sized cart, made of the highest quality stainless steel featuring heavy duty Italian design built in USA, with removable stainless steel Pozzetti's & lids or pans, and a refrigeration system to ensure perfect Gelato for your customers. Plug it in outside your store or use the Push Cart as a mobile store with "Cold Plate Technology" that will keep your product at the precise temperature for up to 8 hours. The Gelato Push Cart offers unlimited ways to sell your products anywhere. Imagine bringing your store to all the events around town with your Gelato Push Cart and watch your business grow!



Pozzetti Style Gelato Push Cart

Custom Design Options

- Construction – Stainless Steel
- "Cold Plate Technology"
- Canopy in Assorted Colors with Custom Design or Logo
- Umbrella in Assorted Colors
- Custom Color Design & Logo for Front & Side of the Cart
- Push Handle – Matte or Polished Stainless Steel
- Towel Bar – Matte or Polished Stainless Steel
- Condiment Rail – Matte or Polished Stainless Steel
- Sneeze Guard – Tempered Glass
- 4, 6 or 8 Pozzetti's or 6 Gelato Pans - Stainless Steel
- Built-in Sink with Cold & "Insta" Hot Water
- Cone and Cup Holders
- Optional Heavy Duty Wheels
- Cashier Station

GTI Designs can custom build your Push Cart according to your specifications - please contact us for details.



**Gelato Push Cart with 5 Liter Pans
and Glass Sliding Top**



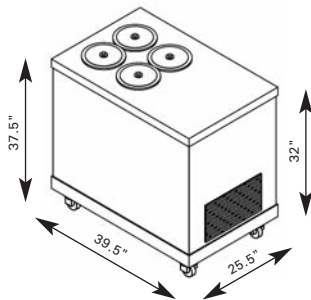
Gelato PUSH CART

Endless Custom Design Options

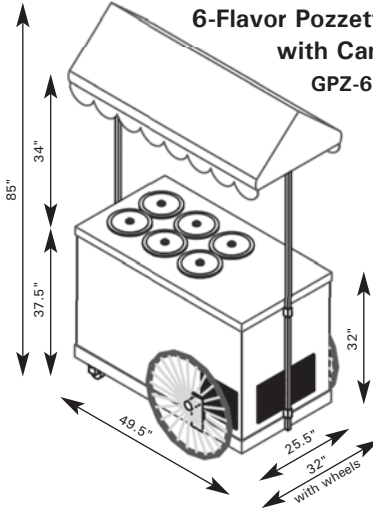


Pozzetti Style Gelato Push Cart

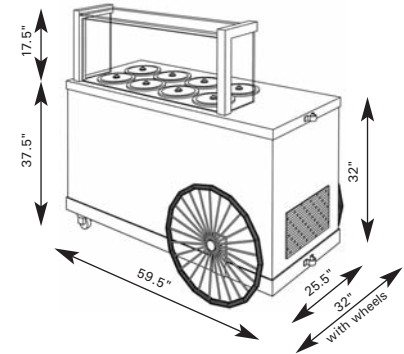
4-Flavor Pozzetti Push Cart
GPZ-4
 Base Model
 without wheels



6-Flavor Pozzetti Push Cart with Canopy
GPZ-6-L



8-Flavor Pozzetti Push Cart with Sneeze Guard
GPZ-8-L



NOTE: To customize your Push Cart please see our Custom Design Options List on the first page.

Gelato Push Carts

| Model | Flavors | Reserve | Width | Width w/ Canopy | Depth | Height | Height w/ Canopy | Voltage | Phase | Freq. | Amps |
|---------|---------|---------|-------|-----------------|-------|--------|------------------|---------|-------|-------|------|
| GPZ-4 | 4 pozz. | 4 | 39.5" | 42" | 32" | 37.5" | 85" | 115 | 1 | 60 | 20 |
| GPZ-6-S | 6 pozz. | 4 | 39.5" | 42" | 32" | 37.5" | 85" | 115 | 1 | 60 | 20 |
| GPZ-6-L | 6 pozz. | 4 | 47" | 49.5" | 32" | 37.5" | 85" | 115 | 1 | 60 | 20 |
| GPZ-8-S | 8 pozz. | 6 | 47" | 49.5" | 32" | 37.5" | 85" | 115 | 1 | 60 | 20 |
| GPZ-8-L | 8 pozz. | 6 | 59.5" | 62" | 32" | 37.5" | 85" | 115 | 1 | 60 | 20 |
| GST-6 | 6 pans | 6 | 39.5" | 42" | 32" | 45.75" | 85" | 115 | 1 | 60 | 20 |



6-Flavor Gelato Push Cart with 5 Liter Pans - Model GST-6

6-Flavor Gelato Push Cart with 5L Stainless Steel Pans and Glass Sliding Top

